

Technical Support / Assistance technique / Technischer Support /
 Technische ondersteuning / Supporto tecnico / Asistencia técnica /
 Műszaki támogatás / Technická podpora / Pomoc techniczna /
 Техническая поддержка / Assistència tècnica / الدعم الفني

Australia	1300 881 931	Nederland	010 713 1882
België / Belgique	02 401 2395	New Zealand	0800 539 26273
Brasil	14 3235-4003	Norway	80017520
Canada	1 800 268 3447	Österreich	0800 677 873
Denmark	80 250966	Polska	22 570 18 00
Deutschland	0692 222 3654	Portugal	800855802
España	911 146 735	Russia	007 495 933 5163
Finland	0800 9 15697	Schweiz / Suisse	044 580 6667
France	01 7671 0404	Sweden	08 5033 6577
Hungary	06 20 9430 612	United Kingdom	0203 364 5390
Ireland	01 431 1395	United States	1 800 535 4242
Italia	02 3604 7030	International Toll	+31 53 484 9135
México	55 15 00 57 00		

Kensington and the ACCO name and design are registered trademarks of ACCO Brands. BlackBelt 2nd Degree is a trade mark of ACCO Brands. Surface is a trademark of Microsoft Corporation, registered in the U.S. and other countries. All other registered and unregistered trademarks are the property of their respective owners.

© 2015 Kensington Computer Products Group, a division of ACCO Brands USA LLC. Any unauthorized copying, duplicating, or other reproduction of the contents hereof is prohibited without written consent from Kensington Computer Products Group. All rights reserved. 12/15



Kensington Computer Products Group
 A Division of ACCO Brands
 1500 Fashion Island Blvd, 3rd Floor
 San Mateo, CA 94404

ACCO Brands Europe
 A Division of ACCO Brands Europe
 Oxford House, Oxford Road
 Aylesbury, Buckinghamshire,
 HP21 8SZ
 United Kingdom

Importado por ACCO Mexicana S.A. de C.V.
 Circuito de la Industria Norte # 6,
 Corredor Industrial Toluca Lerma,
 Lerma México Cp. 52004
 R.F.C. AME640229-1W3

ACCO Brands Canada Inc
 7381 Bramalea Rd
 Mississauga,
 ON L5S 1C4

Acco Brands Chile S.A.,
 Avda. San Josemaría
 Escrivá de Balaguer N°5773
 Vitacura, C.P. 7640870
 Santiago, Chile

ACCO Australia
 Level 2, 8 Lord St
 Botany NSW 2019
 Australia

Importado e Distribuído por:
 TILIBRA PRODUTOS DE PAPELARIA LTDA.
 CNPJ: 44.990.901/0001-43
 Rua Aymorés, 6-9 – Bauru/SP – Brasil
 CEP 17013-900
www.kensington.com.br

Designed in California, U.S.A. by Kensington
 Made in China صنع في الصين

Patents Pending

www.kensington.com

K97442 / K97443

901-4978-00

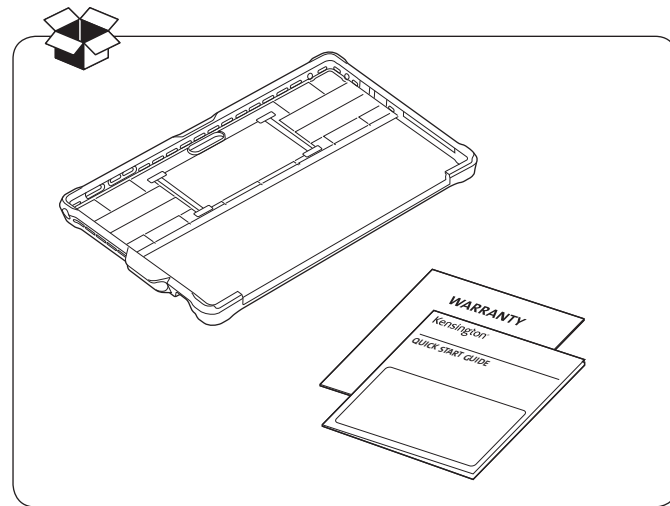
Kensington®

BlackBelt 2nd Degree™ Microsoft Surface™ Pro 4

QUICK START GUIDE
 GUIDE DE DEMARRAGE RAPIDE
 KURZANLEITUNG
 SNELSTARTGIDS
 GUIDA RAPIDA
 GUÍA RÁPIDA

GYORSKALAUZ
 PŘÍRUČKA ZAČÍNÁME
 SZYBKİ START
 КРАТКОЕ РУКОВОДСТВО
 ПОЛЬЗОВАТЕЛЯ
 MANUAL DE INÍCIO RÁPIDO

دليل البدء السريع



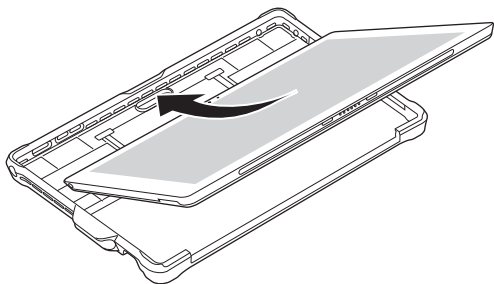
Register Now!
 Enregistrez maintenant !
 Jetzt registrieren!
 Nu registreren
 Registrar ahora
 Registra adesso

Regisztráljon most!
 Zaregistrujte se nyní!
 Zarejestruj się!
 Зарегістрироваться!
 Registe-se agora!

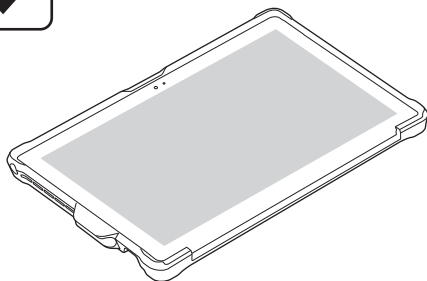
التسجيل الآن!

register.kensington.com

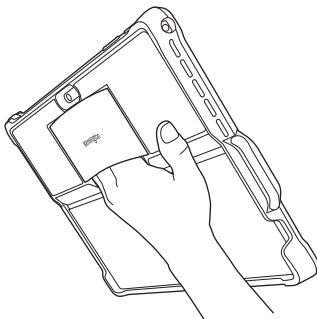
1



2

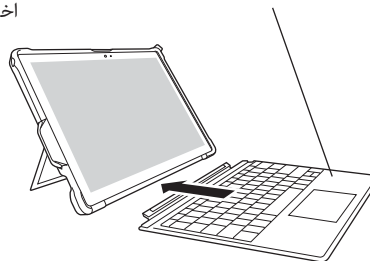


3

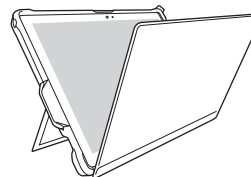


Optional / En option / Nicht enthalten / Optioneel / Aggiuntivo /
Opcional / Választható / Voliteľné / Opcjonalna / Дополнительно /
Opcional / اختياري

a



b



c

